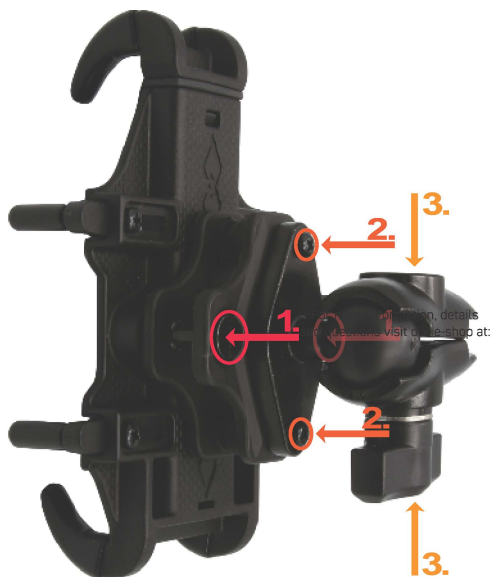


GRAB PHONE HOLDER

installation manual



Phone holder assembly

1. Attach anti-shock adapter to the body of the phone holder using phillips screwdriver and included flat head screws.
2. Attach the diamond shaped adapter with ball to the anti-shock adapter using round head screws.
3. Assemble the mount leg with the hand screw which will be used to tighten and loose phone holder position.

Handlebar installation

1. Pick the sleeve of right diameter for your handlebars and together with plastic insert attach to the handlebars.
2. From the other side of the handlebar attach the T-ball adapter onto the sleeve.
3. Insert the washers onto the sleeve threads and then the nuts. Tighten the nuts until the mount is firmly attached to the handlebar. Finally put on the rubber tip covers.

Under the mirror installation

1. Loosen and remove the rearview mirror, insert the adapter under the mirror and then tighten the mirror once again.

