

d:Rio VOI

USER MANUAL AND GUIDE

Smart multifunctional shoe dryer VOI 3

With this device, you quickly dry shoes, boots, socks, gloves, helmets and more. It will also help you in the daily struggle with unpleasant odors from shoes.

Dryer d: Rio VOI not only dries, but also sterilizes with ozone disinfection, thanks to which up to 99% of bacteria will disappear, thereby ridding you of the same percentage of odors.

1. SAFETY PRECAUTIONS

Thank you for purchasing our VOI shoe dryer. Please read the user manual carefully before using the device. d:Rio VOI dryer can be used to disinfect, deodorize and dry shoes and other sports equipment (e.g. gloves, socks, helmet...).

Enjoy a sporting experience with clean and sterilized equipment.

WARNING:

1.1 This product uses ozone to sterilize and deodorize shoes and more sports equipment.

Ozone is a colorless gas with a typically pungent odor. For safety reasons the product always use only in a well-ventilated room and keep a sufficient distance.

You can smell ozone in a nearby thunderstorm. It is formed naturally from diatomic oxygen, via electric discharge or ultraviolet radiation.

Ozone is a strong oxidant and has many industrial and consumer related applications with oxidation. It is used to remove odor in the air, treat water, disinfection of kitchen tools, disinfection of industrial waste and also as bleach. Water can also be treated with ozone disinfection instead of chlorine. Ozone removes odors from the air and kills bacteria on surfaces that may be infected with them. It is excellent for pool and spa treatments. Ozone is also used to disinfect fresh fruit and vegetables, where it safely eliminates fungi and bacteria. The ozone layer is part of the stratosphere. It is beneficial and eliminates harmful ultraviolet rays radiation falling on the earth's surface. This high oxidation potential of ozone can also sometimes cause damage to mucous membranes and respiratory tissue. For this reason, use d:Rio VOI for good in a ventilated place or outdoors.

Ozone can be harmful to your health if you breathe it for a long time. Maintain a safe distance while the dryer is in disinfecting mode.

- 1.2 This device is intended for use on wet/damp equipment, but make sure to remove excess water from very damp clothes to prevent water from dripping or leaking into the device. Squeeze out the excess water in advance or leave it drain. The device must also not be immersed in water or placed in standing water.
- 1.3 **Always keep the VOI in the correct position (vertical position) during operation.**
- 1.4 **Do not use the device if it appears damaged.** In event of dried malfunction contact the supplier or authorized service. If the device is dropped or is damaged in any way, stop using the device and send it without delay to the supplier or to an authorized service center for examination, repair or possible replacement.
- 1.5 **Do not use if the power cord or plug is damaged.** If the power cord appears damaged, it must be replaced by an authorized service center in order to avoid damage to the device and risk of injury.
- 1.6 For safety and proper operation, place and use the dryer in a well ventilated place or open area and stay away from it when the disinfection process (STZ) is in progress. **Remaining in closed spaces with high ozone concentration can be harmful.**
- 1.7 Do not immerse the device, cable, plug in water. Do not place the cable and the device from hot surface.
- 1.8 This appliance is not intended for use by children. **Store and use this device out of reach of children.**
- 1.9 **Do not disassemble or repair the device yourself.** Unprofessional repairs can result in bodily harm, fire or other damage to the device or property. Only an authorized service technician can carry out all repairs. Removal any parts or attempt to repair the device will void the warranty.

2. FUNCTIONS

- 2.1 **Sterilization and deodorization** – effectively eliminates bacteria and the fungi that are cause of foot odor and fungus.
- 2.2 Effectively dries shoes, gloves, helmets, socks, etc., which greatly contributes your health protection and comfort.
- 2.3 The drying temperature reaches up to **60°C**, so it is suitable for drying even in very cold conditions.
- 2.4 The device is very stable and produces a safe amount of ozone for safety sterilization effect. Ozone eliminates odors in shoes.
- 2.5 **Manual start/stop with option to run either for 30 or 60 minutes.**
- 2.6 **Safety thermal fuse to prevent overheating.**
- 2.7 **Very quiet operation (< 35 dB noise level).**
- 2.8 Inbuilt surfaces for dripping water (part of the device).

3. PACKAGE CONTENTS AND UNPACKING

3.1 Package contents:

- 1pc base unit
- 2pcs shoe, glove, sock, etc. attachment
- 2pcs flat attachments for helmets, etc.
- 1pc user manual

3.2 Unpack the device from the box. Remove the base and the attachments.

3.3 Release the power cord.

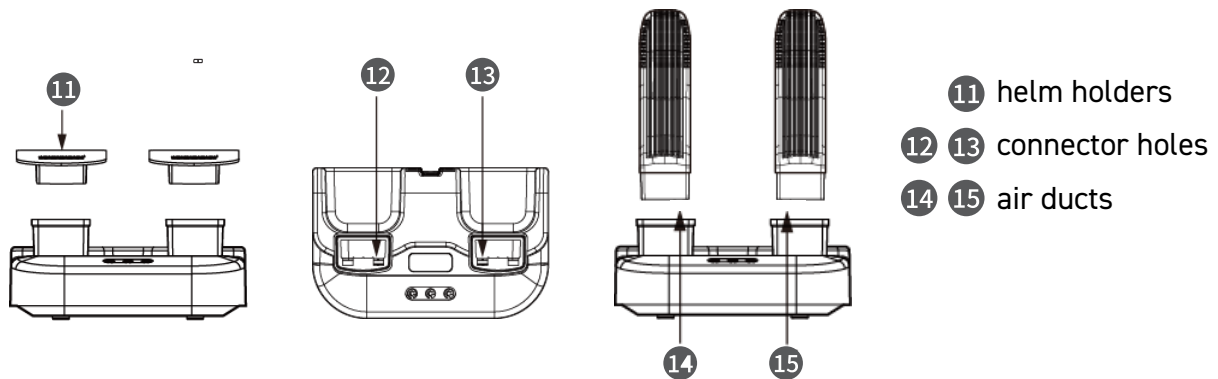
3.4 Check if the air intake grille is not obstructed by any leftover piece of packaging or debris. Perform this check every time when using the device.

3.5 Check all components for damage to ensure that no damage has occurred during transport.

3.6 The base of the device consists of a fan, a PCB unit, an ozone generator, heating element, LED diodes, buttons, connection adapter for attachments, air supply (through the air intake grille), drainage holes and power cord with plug.

3.7 The attachments include the plastic body with air grille.

4. DEVICE ASSEMBLY



4.1 Place the device on a flat, dry and clean surface.

4.2 Insert the air ducts.

4.3 Remove the shoe holders and install the helmet holder if you want to dry the helmet, mask etc.

5. CONTROLS

Drio VOI 3 is very simple to control. Use the clock button to swap between drying length of 30 or 60 minutes. The drier saves last used setting. The chosen options are marked by the LED light.

Regardless of chosen settings once the drying is started the drier waits for 30 seconds and then start the 5 minutes long ozone sterilisation. Do not remain near by the device while the sterilisation takes place and only use the drier in well-ventilated areas.



- ① On/Off LED light indicator
- ② temperature and program length LED light indicators
- ③ On/Off button
- ④ change temperature button
- ⑤ change duration button

6. USE WITH THE FLAT ATTACHMENTS

- 6.1 Disconnect the device from the electricity.
- 6.2 Remove the air ducts and replace them with the flat attachments.
- 6.3 Connect the device to the electricity and use the device as usual.

Rated voltage: max 300W - 220-240V 50/60Hz