



BATTERY POWERED FAN USER MANUAL

CONTROLS AND CHARGING

USB CHARGING PORT

- insert the charging cable into USB socket or USB power adapter to charge the fan
- fully charge before first use

SWIVEL ON/OFF BUTTON

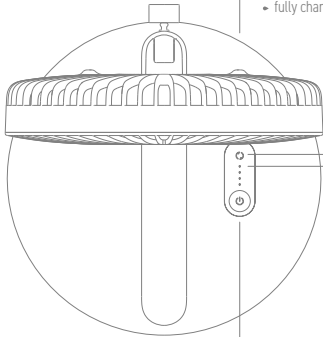
- the button activates the fan head swivel, the swivel angle is 150°
- second press deactivates swivel

CHARGE BATTERY INDICATOR

- rapid flashing of the LED light indicates dead battery
- slow flashing indicates charging
- when fully charged flashing stops and the light stays on

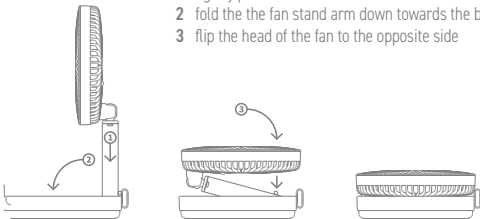
SPEED AND ON/OFF BUTTON

- short press turns the fan on or off
- Holding the button for long press while the fan is running switches to higher speed mode



FOLDING THE FAN

- 1 lightly press the fan stand arm downwards
- 2 fold the fan stand arm down towards the base
- 3 flip the head of the fan to the opposite side



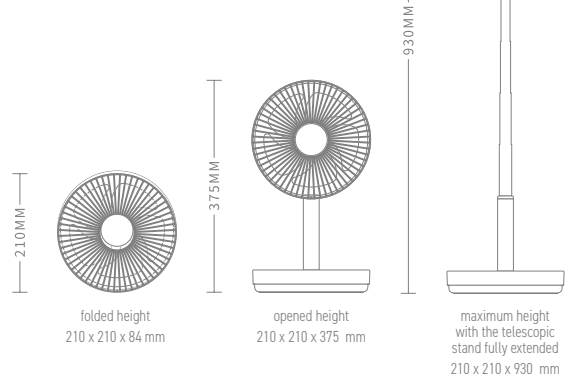
TECHNICAL SPECIFICATIONS

input: DC5.0V=1.5A

weight: 938 grams

swivel angle: 150°

- dimensions**
- width 210 mm
 - depth 210 mm
 - folded height 84 mm
 - opened height 375 mm
 - maximum height 930 mm



WARNING



- Do not disassemble the fan or remove the protective cover.
- Do not insert fingers or foreign objects into the protective fan cover. Doing so might result in injury or damage to the fan.
- Do not expose to extreme temperatures, water or highly humid or dusty conditions environment. The fan is not intended for long-term outdoor use.
- The fan is not intended for use by children without adult supervision.
- The fan contains an integrated battery, please follow the basic rules of safe battery and battery powered appliances handling.

