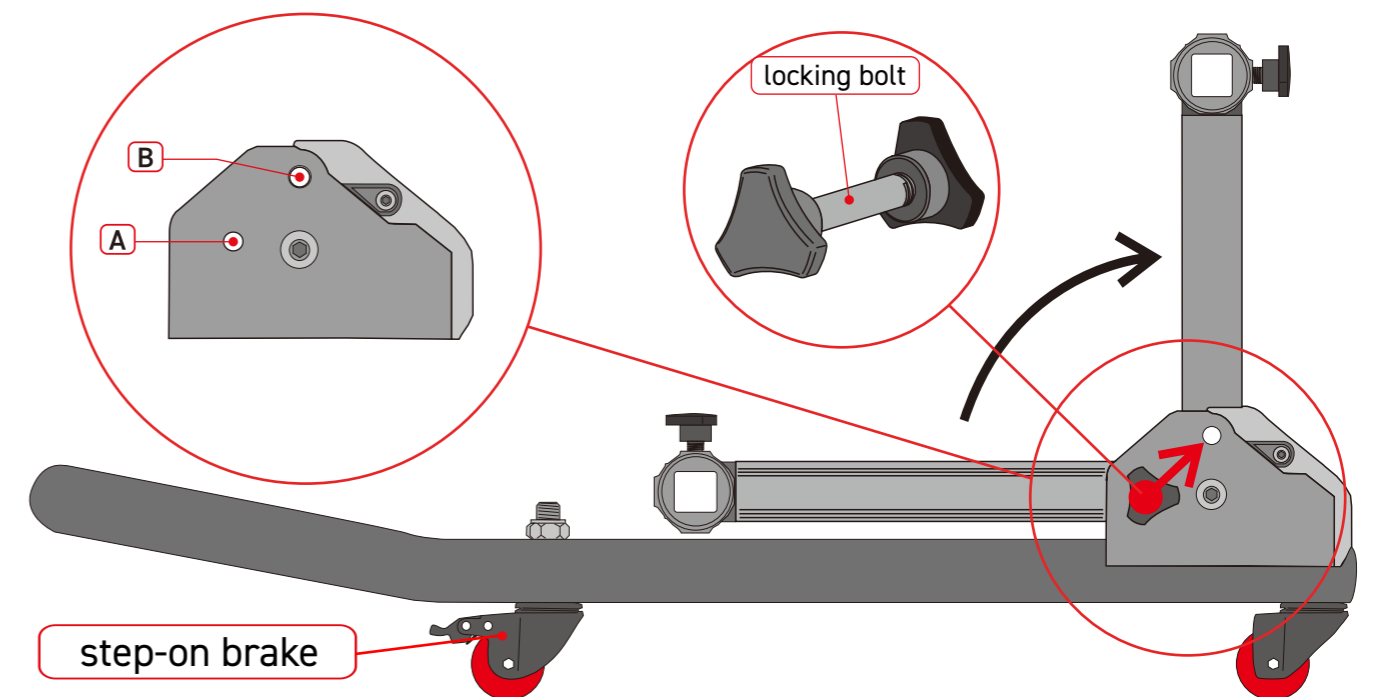




1. Assembly and folding of the paddock stand

Out of package the paddock stand is in folded position. To assembly it for use remove the **locking bolt** used to fix the position from hole **A**. Once the locking bolt is fully removed move the paddock stand arm to the vertical position and secure it by fastening the **locking bolt** in hole **B**. Tighten by hand. The paddock stand allows option to lock-in the rear pair of wheel with the **step-on brake**.

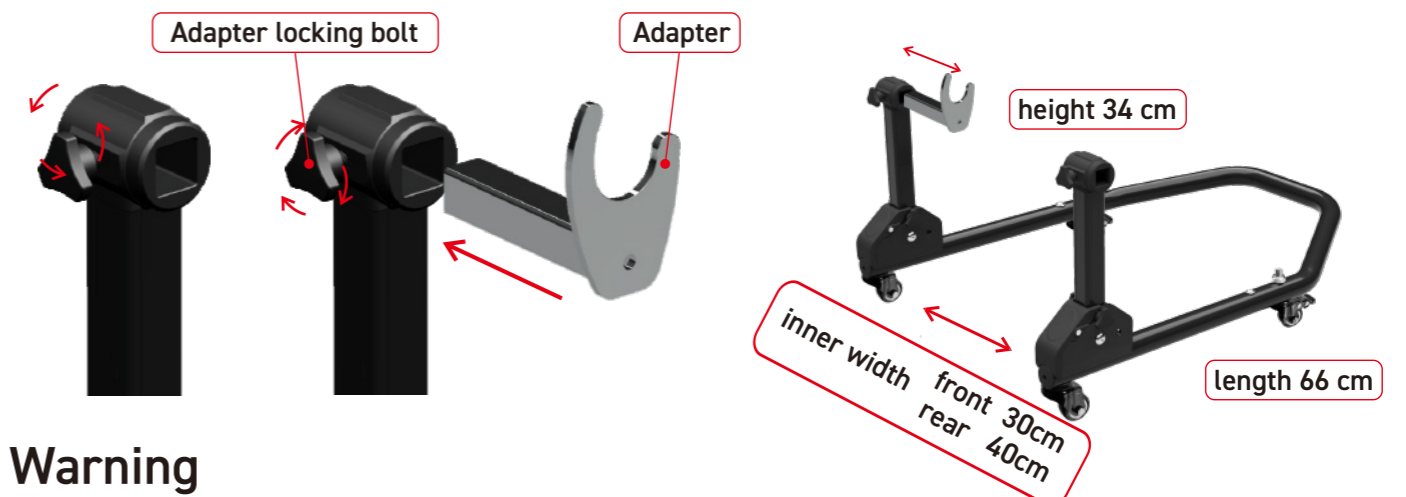


2. Adapter installation and width setup

To install or adjust the adapter unscrew the **adapter locking bolt** and insert the adapter. The depth of the adapter can be adjusted to fit width of specific motorcycle.

Place the paddock stand with adapters in line with the motorcycle swing arm or front forks to measure and adjust the adapters properly and then fix their position by tightening adapter locking bolt by hand.

For video instructions visit our youtube channel [M-Style.cz](https://www.youtube.com/channel/UCM-Style.cz).



3. Warning

When using two paddock stands always lift rear wheel first and then proceed to lift the front wheel. It is advised to not lift motorcycle alone as the safest use is for one person to hold the motorcycle while another person lifts it using the paddock stand. Prior to the use always inspect technical condition of the paddock stand and the adapter set up. Keep away from children when in use. Maximum carrying capacity of single paddock stand is **200 kg** for maximum motorcycle weight of **400 kg**.

**FOLDABLE MOVABLE
PADDOCK STAND D20U-4RF
FRONT / REAR
MANUAL EN**

